

NOTE: 1
 DESIGN CODE:
 NS-EN 13445

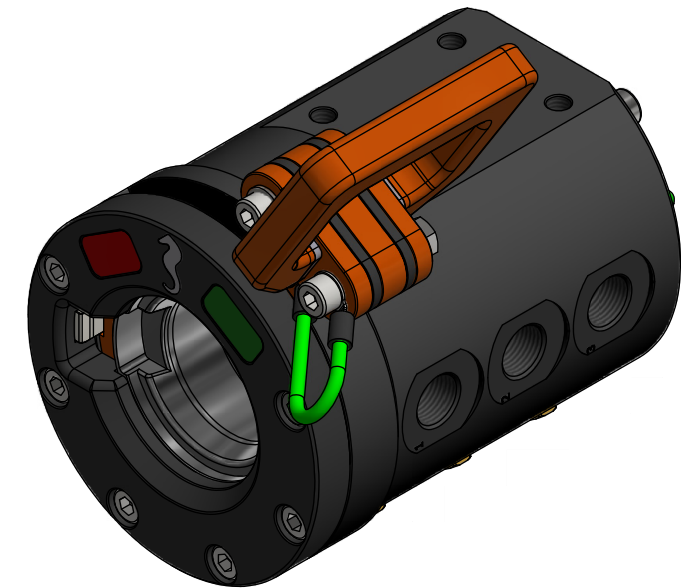
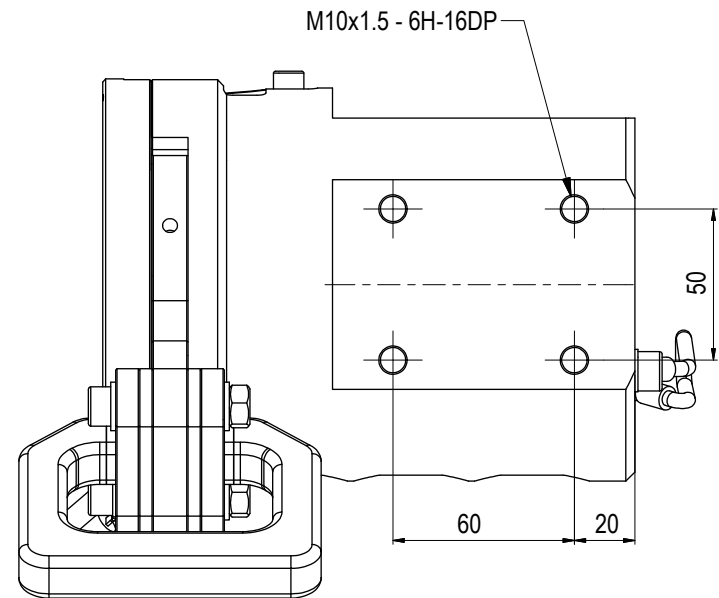
NOTE: 2
 TECHNICAL CLASSIFICATION:
 Article Type: 003-Valve Stabs
 Main Group: 3.03. Ø55-Valvestab
 Intermediate Group: 3.12.02. Receptacle
 Sub Group: 3.12.69.3. Triple

NOTE: 3
 INTERFACE INFORMATION:
 Pressure Rating Bar: 250
 Design Water Depth:
 Material: Intervention
 Weight: 7,9 kg
 Volume: 1,87 dm³
 Submerged Weight: 6,01 kg
 Surface Area: 3723 cm²
 Hydraulic: 1/2" BSP
 Mechanical: N/A
 Electrical: N/A
 Com. & Protocol: N/A

NOTE: 4
 SPAREPARTS:
 BB1690

NOTE: 5
 ADDITIONAL INFORMATION:
 Usermanual: 600112-TD-0003

Note!
 This VStab receptacle is only compatible with triple port Vstab. Mating of Vstabs and Vstab receptacles with different number of ports may cause injuries, equipment damage and spill of fluid.



09	28.12.2018	9-IFU (Issued for Use)		WTJ	LGH	WTJ
08	23.3.2018	9-IFU (Issued for Use)		WTJ	LGH	WTJ
07	15.8.2016	9-IFU (Issued for Use)		WTJ	LGH	WTJ
06	14.12.2015	9-IFU (Issued for Use)		WTJ	HNJ	WTJ
Rev.	Date	Reason for issue	Revision change	Made	Chk'd	Appr.

BLUE LOGIC

This Drawing is the Property of Blue Logic AS © and must Not be Loaned, Reproduced or Transferred to others without written Permission

Dwg Scale:	NTS
Dwg Proj:	
Dwg Format:	A3

Drawing title:	Ø55 TP VStab Rec 250Bar Interv Man BSP 1/2"
Drawing number:	PA0340
Rev:	09